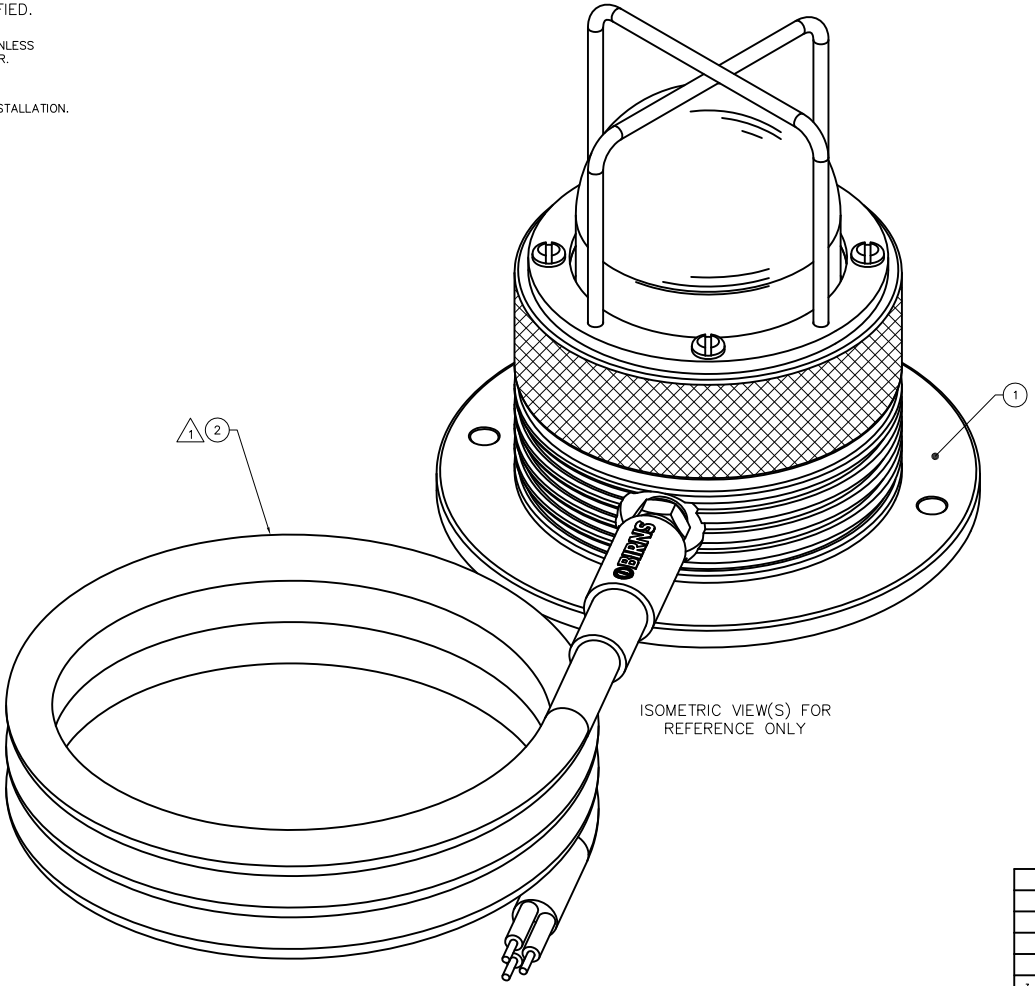


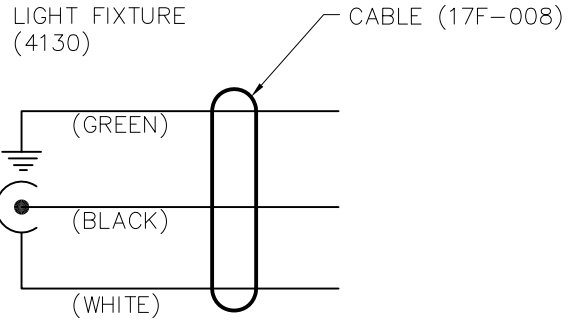
**BIRNS, INC.**  
**PROPERTY INFORMATION**  
 ALL DIMENSIONS ARE IN INCHES UNLESS OTHERWISE SPECIFIED.  
 DIMENSIONS IN PARENTHESES ARE FOR INFORMATION ONLY.  
 DIMENSIONS IN PARENTHESES ARE FOR INFORMATION ONLY.  
 DIMENSIONS IN PARENTHESES ARE FOR INFORMATION ONLY.

REVISIONS							
ZONE	DRAWN	CHKD	APPR	REV	DESCRIPTION	DATE	ECN
	KHW	JM	EFB	-	PRODUCTION RELEASE, CHANGE PART # OF LAMP	031008	
	KHW		A		TO SIMPLIFY ASSEMBLY DWG	080527	

- NOTES: UNLESS OTHERWISE SPECIFIED.
- STANDARD CABLE IS SO. LENGTH IS 6FT UNLESS SPECIFIED OTHERWISE ON THE SALES ORDER.
  - SOME HIDDEN LINES OMITTED FOR CLARITY.
  - APPLY LUBRICATION TO O-RINGS PRIOR INSTALLATION.



## WIRE DIAGRAM (4132)



QTY	QTY	CAGE CODE	PART OR IDENTIFYING NO.	NOMENCLATURE OR DESCRIPTION	MATERIAL SPECIFICATION	ZONE	ITEM NO
	1		23E-017	LOCKWASHER, #6, S.S. SPLIT	S.S.		5
	3		23C-037	BUTT CONN. 18 AWG	VARIOUS		4
	1		23C-013	EYE LUG, #8, 22-16 AWG WIRE	VARIOUS		3
	1		17F-008	CABLE, PENETRATOR ASSY. GAEL	SO CABLE		2
	1		4130-01-10	GENERAL AREA CHAMBER LIGHT	6061-T6 AL.		1

UNLESS OTHERWISE SPECIFIED DIMENSIONS ARE IN INCHES AND PER ASME Y14.5-1994

TOLERANCES ARE: X ± .015  
 .XX ± .01  
 .XXX ± .005  
 .XXXX ± .0005  
 Z ± .5'  
 1/X ± 1/32

FINISH: SURFACE ROUGHNESS ✓ 63  
 EDGE BREAK REMOVE BURRS AND SHARP EDGES  
 DO NOT SCALE DRAWING

CONTRACT: DWG K. WOOD 020830  
 ENGR  
 DESIGN  
 DATE J. MAGLAQUE 021005  
 APPROVED E. BIRNS 021018

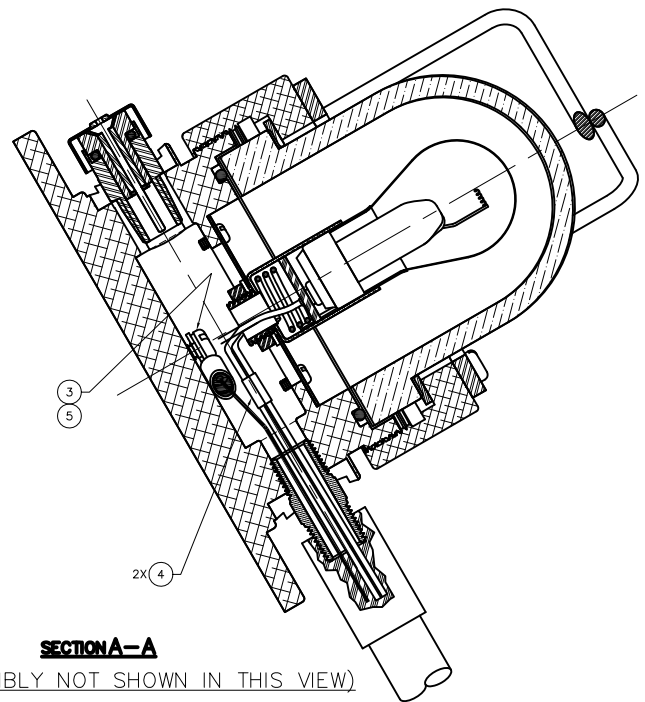
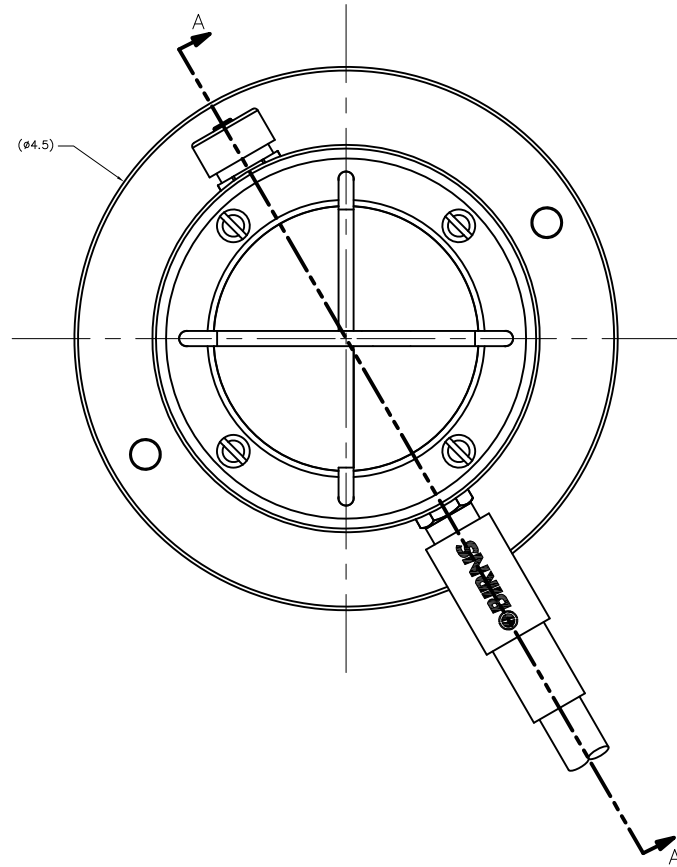
**BIRNS** 1720 FIRKE PLAZA, OAKLAND, CA 94612-1803 U.S.A.  
 TEL: (908) 487-5300 FAX: (908) 487-5427 www.birns.com

TITLE: GENERAL AREA CHAMBER LIGHT W/ CABLE  
 SIZE: D 58608  
 DWG NO.: 4132  
 SCALE: NONE UNIT WT.: SHEET 1 OF 2

APPLICATION	USED ON

BIRNS, INC.  
 PROPRIETARY INFORMATION  
 ALL RIGHTS RESERVED.  
 NO PART OF THIS DRAWING IS TO BE REPRODUCED OR TRANSMITTED IN ANY FORM OR BY ANY MEANS, ELECTRONIC OR MECHANICAL, INCLUDING PHOTOCOPYING, RECORDING, OR BY ANY INFORMATION STORAGE AND RETRIEVAL SYSTEM, WITHOUT PERMISSION IN WRITING BY BIRNS, INC.

REVISIONS			
ZONE	REV	DATE	APPROVED
			SEE SHEET 1 FOR REVISIONS



**SECTION A-A**  
 CABLE ASSEMBLY NOT SHOWN IN THIS VIEW

<b>BIRNS</b>		1730 FIRE PLACE, OAKLAND, CA 94612-1863 U.S.A.	
		TEL: (805) 487-5200 FAX: (805) 487-0427	
		www.birns.com	
TITLE: GENERAL AREA CHAMBER LIGHT W/ CABLE			
SIZE: D	DATE: 58608	DWG NO: 4132	REV: A
SCALE: 2/1 UNIT WT.:			SHEET 2 OF 2