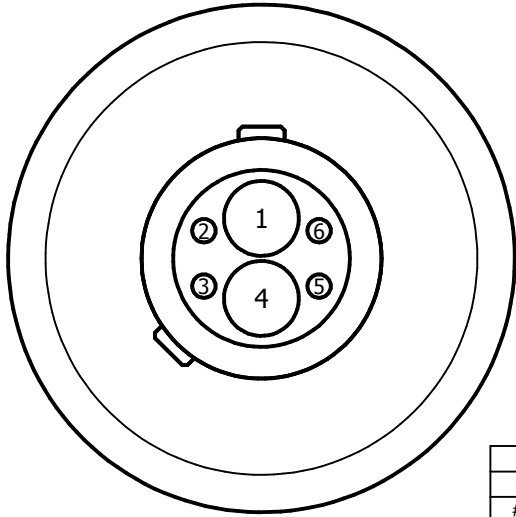


PIN CONFIGURATION AND WIRING DATA SHEET

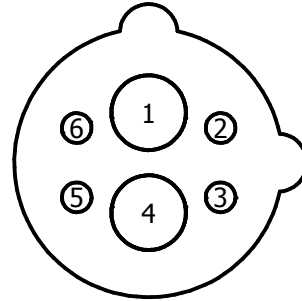
3K Cable Plug

2-10 & 4-22

3K-PIS-6



FACE VIEW

REAR VIEW
(INSERT)

MAXIMUM			
	CURRENT	VOLTAGE	WIRE SIZE
#22	2A	500 V	22 AWG
#10	33A	500 V	10 AWG

NO.	DESCRIPTION	WIRE/ FIBER	CURRENT/ FREQUENCY	VOLTAGE/ MODE	NO.	DESCRIPTION	WIRE/ FIBER	CURRENT/ FREQUENCY	VOLTAGE/ MODE
1									
2									
3									
4									
5									
6									

