

40-400-001-01

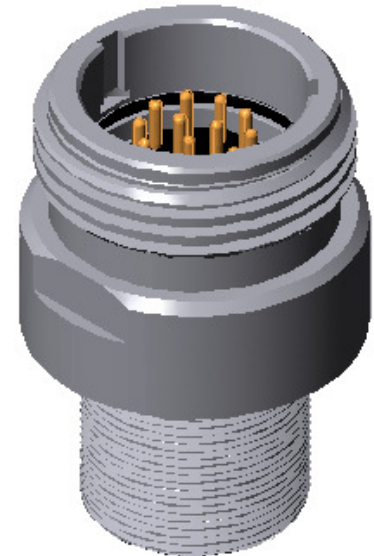
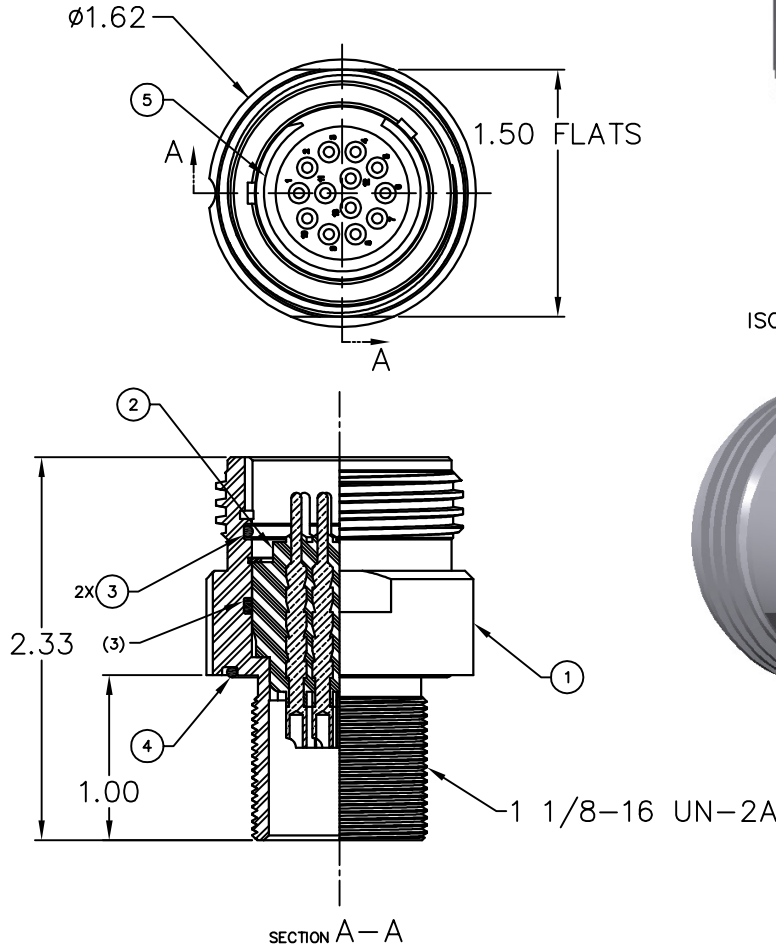


# MILLENNIUM SERIES

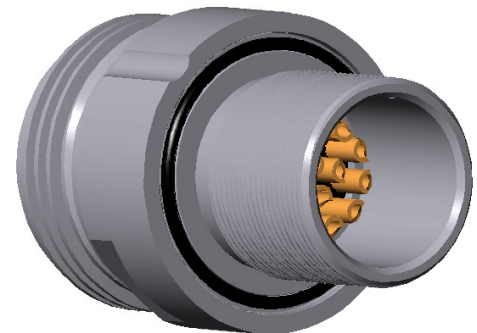
30-BR

NOTES: UNLESS OTHERWISE SPECIFIED.

1. MATES WITH 30-CP.
2. SEE 30-RIP DATA SHEETS (40-450-001-00) FOR AVAILABLE INSERTS.



ISOMETRIC VIEW SHOWN ASSEMBLED FOR REFERENCE ONLY



30-BR

1		56B-009	SNAP RING, UR-106-S	302 S.S.		5
1		59A-061	O-RING, 2-026	BUNA 70		4
2		59A-092	O-RING, 2-023	BUNA 70		3
1		30-RIP	INSERT ASSY., PIN, 30 CONNECTOR	VARIOUS		2
1		24E-166	SHELL, 30-BR	316 S.S.		1
QTY REQD	CAGE CODE	PART OR IDENTIFYING NO.	NOMENCLATURE OR DESCRIPTION	MATERIAL SPECIFICATION	ZONE	ITEM NO

PARTS LIST

1720 Fiske Place Oxnard, California 93033-1863  
 Phone: (805) 487-5393 FAX: (805) 487-0427 Email: [service@birns.com](mailto:service@birns.com)  
[www.birns.com](http://www.birns.com)

USA Toll-Free:  
 888-BIRNS-88