

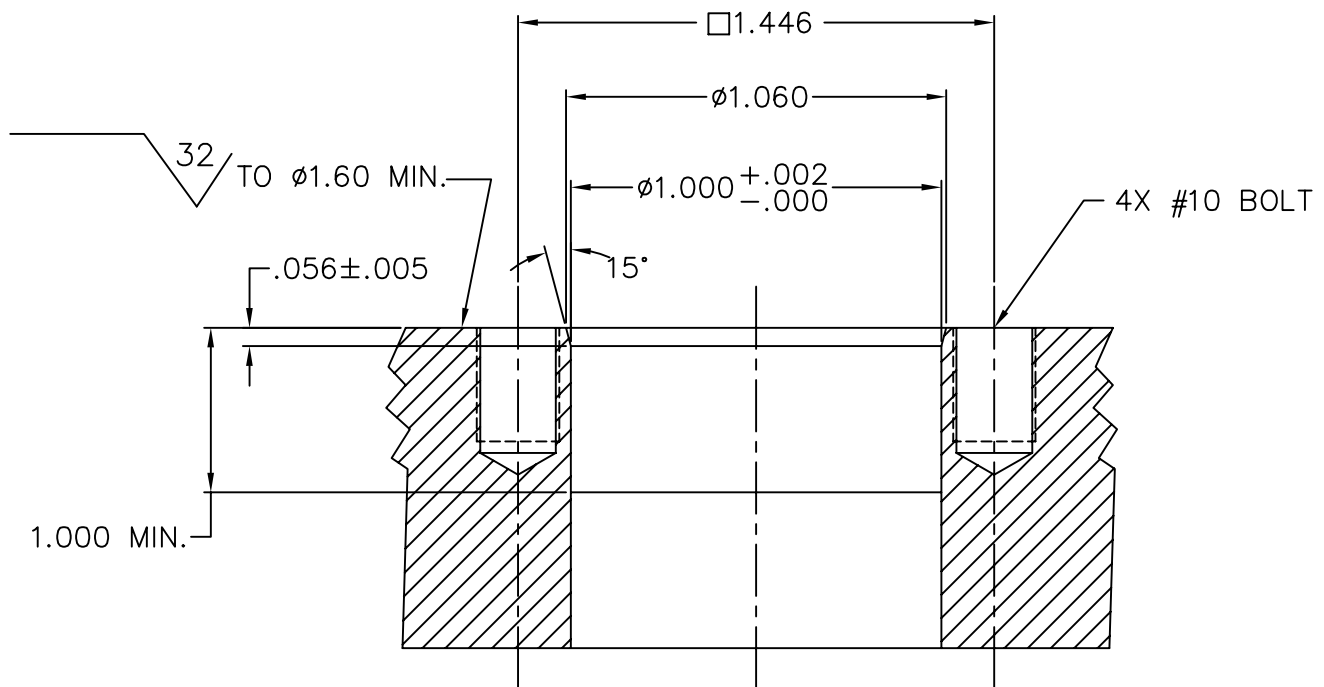
40-402-002-01



MILLENNIUM  
SERIES

30-FR

RECOMMENDED MOUNTING CONFIGURATION



BULKHEAD  
THRU-HOLE

30-FR

1720 Fiske Place Oxnard, California 93033-1863  
Phone: (805) 487-5393 FAX: (805) 487-0427 Email: [service@birns.com](mailto:service@birns.com)  
[www.birns.com](http://www.birns.com)

USA Toll-Free:  
888-BIRNS-88