

40-404-001-00

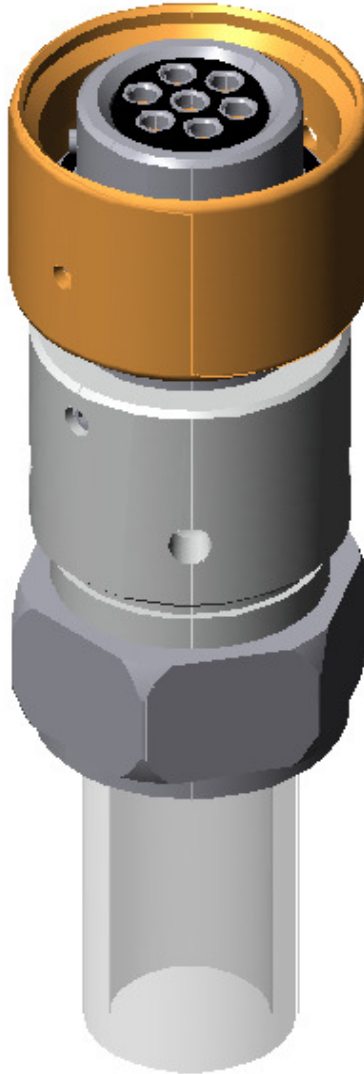


MILLENNIUM SERIES

30-CP-OF

NOTES: UNLESS OTHERWISE SPECIFIED.

1. MATES WITH 30 RECEPTACLE.
2. SEE 30-PIS DATA SHEETS (40-465-001-00) FOR AVAILABLE INSERTS.



ISOMETRIC VIEW SHOWN ASSEMBLED
FOR REFERENCE ONLY

30-CP-OF

1720 Fiske Place Oxnard, California 93033-1863
Phone: (805) 487-5393 FAX: (805) 487-0427 Email: service@birns.com
www.birns.com

USA Toll-Free:
888-BIRNS-88