

The BIRNS TubeLight™ delivers powerful 10,000+ lumen brilliance for 360° drop-light use in confined spaces. It's compact (only 48mm diameter) and versatile, 100W to 500W, with a wide range of accessories to tailor it to a variety of demanding nuclear applications.



High Performance . . . Under Pressure®

EXCLUSIVE FEATURES

The BIRNS TubeLight, BIRNS Model 5710, is a brilliant tungsten halogen system that delivers 360 degree illumination and is rated to 300m. With a sturdy stainless steel construction, it provides easy decontamination, and can be relamped, tool-free, in 60 seconds. The unique design delivers unmatched performance and safety, and is available with an optional suspension assembly.

- Brilliant 360° illumination
- Small size (Ø48mm/ 1.9" OD)
- Easy decontamination
- Customizable lamp, dome, reflector and mount options
- Tungsten-halogen, commercially-available white light lamps
- No warm-up time, no ballast needed
- Case ground (earth) connection compatible with all commercially-available Class A GFCIs (ELCBs)
- 10,000+ lumens
- Choice of 120 or 240 volt use (AC or DC)
- 60-second tool-free relamping
- Tool-free matable subsea-grade underwater connector



Pictured with optional stainless bulkhead connector

APPLICATIONS

Perfect for blazing illumination of narrow inspection tubes, or for complete, easy to manipulate 360° lighting of any pool. It is easily suspended by its cable for general-purpose drop light use, and can be mounted singly or in pairs for use with underwater cameras.



BIRNS' Quality Management System is
ISO 9001:2015 Certified;
NRC 10CFR50, App. B Compliant

High Performance . . . Under Pressure®

SPECIFICATIONS

EQUIPMENT

Unless specified otherwise, the default standard lamp installed in the BIRNS TubeLight is the 120V/500W 32B-005. However, both 120V and 240V (100W to 500W) are available.

Lens

Two lenses are available: **Standard** (35B-002), for general purpose use, and **Non-Browning** (35B-009), which is impervious to radiation-induced coloration.

Reflector

Two types of reflectors are available for different applications, and changing them is quick and simple. The **Flat Reflector** (54C-001) eliminates glare and wasteful “overthrow”. The **Axial Reflector** (54B-004, shown), changes the 360° radial beam to a medium-flood downward beam.



Flat Reflector



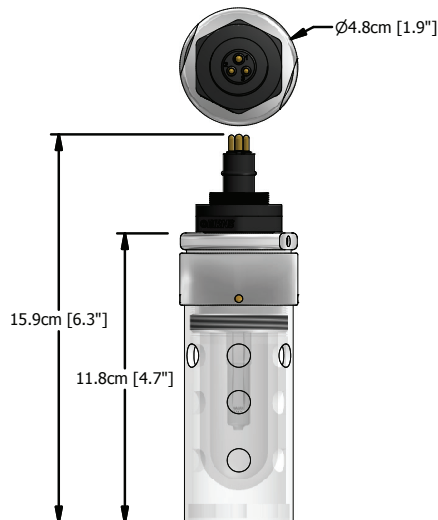
Axial Reflector

ORDERING INFORMATION

- BIRNS Model 5710
[specify voltage/wattage]
- Power Cable Assembly CEF3S16-XXX/
[specify length]

Optional Upgrades

- Non-Browning Lens 35B-009 (silica crystal)
- Stainless Steel Bulkhead Connector SBEM3P-S4
- Flat Reflector 54C-001
- Axial Reflector 54B-004
- Super-Vutron Power Cable Assembly CEF3S16-SV-XXX [specify length]



PHYSICAL

Length:	15.9cm (6.3 in.)
Diameter:	Ø4.8cm (Ø1.9 in.)
Weight in Air:	450g (1.0 lb)

LIGHTING/PHOTOMETRIC

Lamp Type:	Incandescent Tungsten-halogen
Time To Full Brightness:	<1 second after application of power
Operating Position:	Universal (i.e. any position)
Light Output:	10,450 initial lumens, depending on installed lamp
Dimming Range:	0-100%
Correlated Color Temp.:	2,950K, depending on installed lamp

ENVIRONMENTAL

Protection Level:	IP 68
Depth Rating:	300m (1,000 FSW)

ELECTRICAL

Input Voltage:*	115 +/- 15 VAC or VDC (standard) 220 +/- 20 VAC or VDC (available)
Lamp wattage:	500 Watts (standard); 100, 150, and 250 watts also available
Supply Frequency:	60Hz standard; 50Hz OK
Cable Size:	16 AWG type SO, 3 conductor (standard)
Cable Current Rating:	12 amperes maximum
Cable Voltage Rating:	600 Volts maximum

MATERIALS

All Housing Parts:	Stainless steel AISI type 304, electropolished
Dome:	Borosilicate Pyrex Glass (standard); optional non-browning quartz also available
Dome Protector Assembly:	Lexan polycarbonate
Lens Gasket:	Silicone
O-ring seals:	Nitrile (Buna N), compound N674-70; optional EPDM also available
Connector:	Glass-reinforced epoxy (GRE); optional stainless-steel body also available
Connector Pins:	Brass 360 per ASTM B16, gold-plated per MIL-G-45204

*Substantive input voltage variation will affect lamp performance characteristics, including light output, lamp life, consumed power, color temperature, etc. Generally, higher voltage use will increase light output, power, and color temperature and will lessen lamp life, and lower voltages will have converse effects. However, the relationships are linear only near the rated input voltage value.